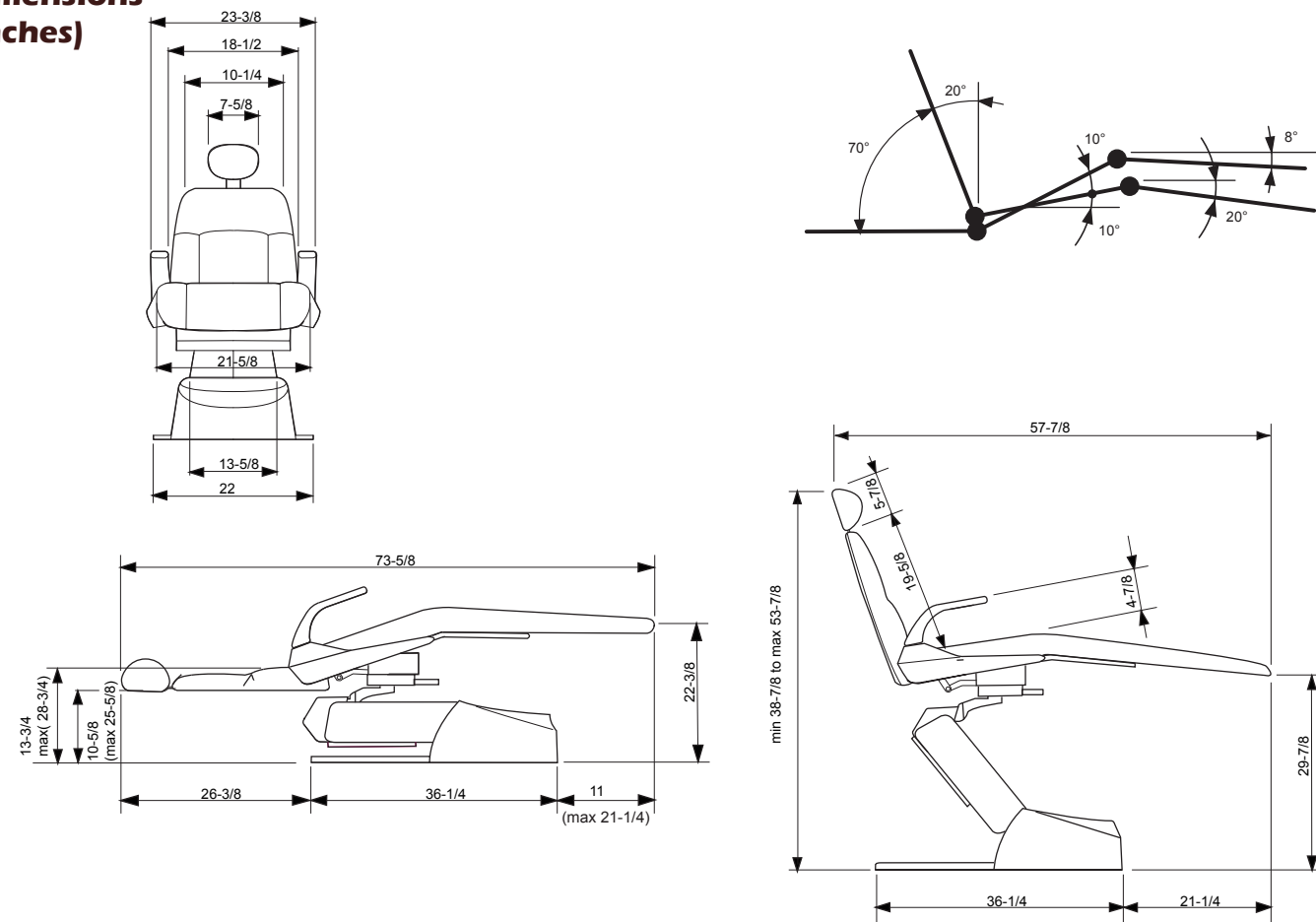


**Dimensions
(Inches)**



Specifications

Lifting / lowering mechanism :	Hydraulic, Cantilever type
Minimum height / Stroke :	10-5/8" (at Headrest shaft) / 15"
Backrest reclining angle :	0° (Horizontal) - 70°
Seat tilting :	10° - 20° , synchronized with backrest
Seat rotation :	30° left / right of centerline
Armrest rotation :	90° outward
Preset position :	One (1) preset position & auto-return
Headrest :	Dual axis type
Mode of control :	Foot switches and backrest switches
Emergency stop :	Safety shut-off plate under the main link. Any switch can cancel chair movement.
Rated Voltage :	AC 120V / 60Hz
Weight :	330 lbs



Belmont Equipment
Division of Takara Belmont USA Inc.
101 Belmont Drive, Somerset, NJ 08873
Phone : 1-800-223-1192
www.belmontequip.com



BEL-20⁺
Dental Chair

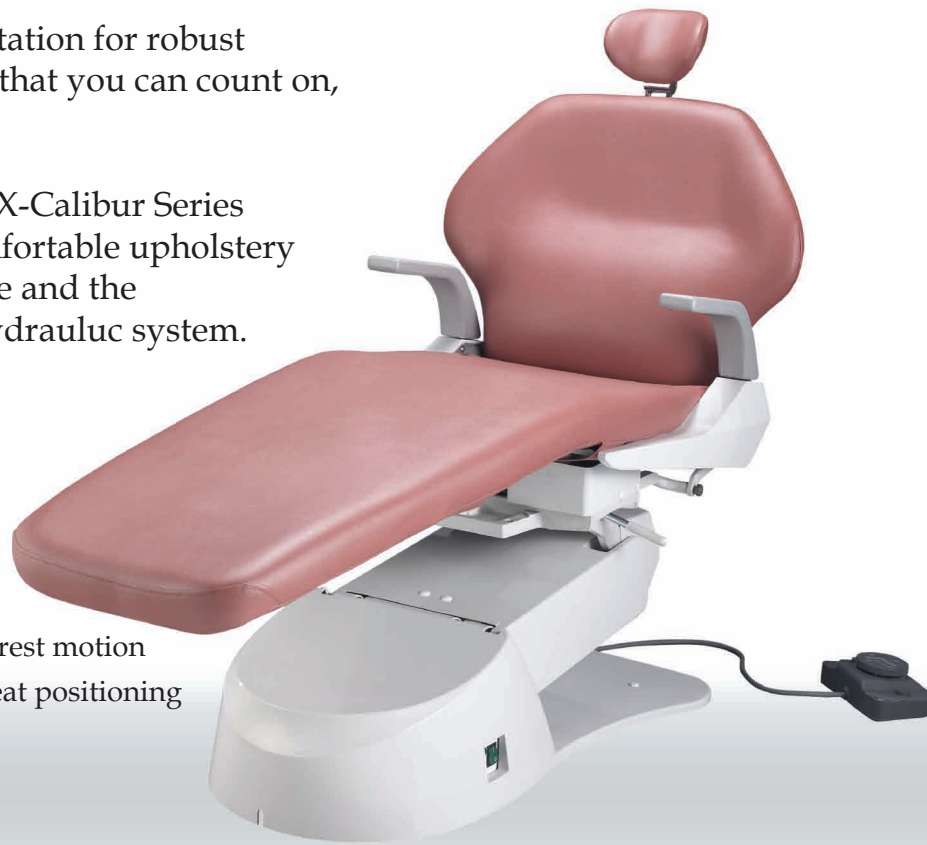
A Reputation For Durability and Reliability

Belmont chairs have an earned reputation for robust construction and solid performance that you can count on, year-after-year.

The Bel-20⁺ is the latest chair in the X-Calibur Series incorporating attractive styling, comfortable upholstery that compliments your working style and the world-renowned Belmont electro-hydraulic system.

Standard Features:

- Dual Axis Headrest
- Swing out armrests
- 60 degree left-right seat rotation with locking brake
- Safety shut-off plate stops seat and backrest motion
- Foot control and backrest switches for seat positioning



Seat Positioning Range

The seat can be lowered to a minimum position where the headrest height is only 10-5/8" inches from the floor, and raised to a maximum height of 25" from the floor (*)



(*) The height of headrest support bar above the floor, when backrest is fully reclined as shown.

Upholstery Choices For Your Patient's Comfort And To Fit The Way You Work

Sling Style (SL)



Slings cradle patients arms and upper torso when reclined for treatment. Narrow backrest design gives practitioners closest access to the patient's oral cavity.

Benchmark Style (NU)



Easy to clean, wide backrest provides support for large and small patients and is thin enough to permit excellent access to the oral cavity.

Elite Style (ULHP)



Pamper your patients with plush seat and backrest cushions upholstered in luxurious Ultraleather™.

Dual Axis Headrest

Dual axis headrest gives practitioners optimal positioning flexibility for accessing the upper and lower arches



Optional Accessories

Flat headrest with movable magnetic cushion



Chair control touchpad can be attached to the Bel-20⁺ chair or to your Belmont delivery system



Delivery Systems

The Bel20⁺ chair is the perfect match when paired with X-Calibur and Eco-Sys delivery systems

